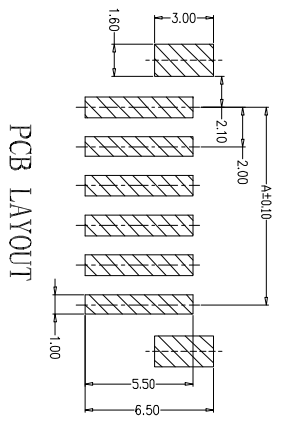
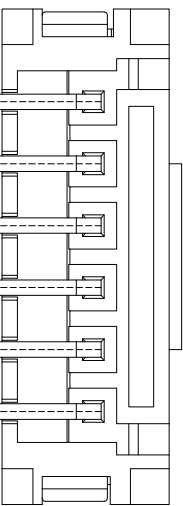
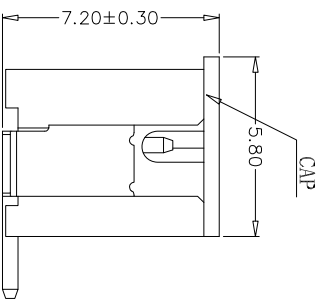
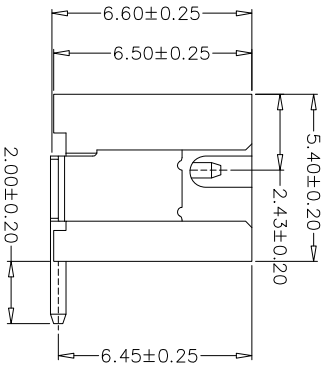
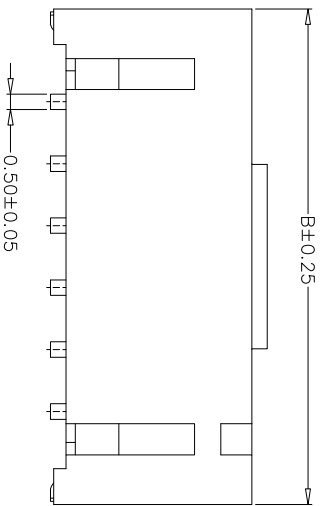
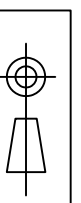


- SPECIFICATIONS**
- 1、Current Rating: 2A AC, DC
  - 2、Voltage Rating: 250V AC, DC
  - 3、Temperature Range: -25°C~+85°C
  - 4、Contact Resistance: 20mΩ Max
  - 5、Insulation Resistance: 1000MΩ Min
  - 6、Withstanding Voltage: 800V AC/minute
  - 7、Material: Wafer Nylon 6T, UL94V-0  
PIN Brass Tin-plated  
Solder tad Phosphoric bronze Tin-plated



编 号	尺寸 (mm)		
	A	B	C
A2001-02AB	2.00	8.00	6.50
A2001-03AB	4.00	10.00	8.50
A2001-04AB	6.00	12.00	10.50
A2001-05AB	8.00	14.00	12.50
A2001-06AB	10.00	16.00	14.50
A2001-07AB	12.00	18.00	16.50
A2001-08AB	14.00	20.00	18.50
A2001-09AB	16.00	22.00	20.50
A2001-10AB	18.00	24.00	22.50
A2001-11AB	20.00	26.00	24.50
A2001-12AB	22.00	28.00	26.50
A2001-16AB	30.00	36.00	34.50



X. ±0.5

. X ±0.30

. XX ±0.20

. XXX ±0.005, XXX ±

单位	mm
比例	
SCALE	

核准:

APPROVED BY

审核:

CHECKED BY

制图:

DRAWN BY

**深圳市泰华电子有限公司**  
**TaiHua Electronics Co., Ltd**

版本: A0

Product name

PH立贴 WAFER SMT TYPE

页次: 1/1

Product No

日期: 2022.9.5

客户料号

Client No

版本	客户料号	零件名称	生产日期
1.00	010001	010001	2022.9.5